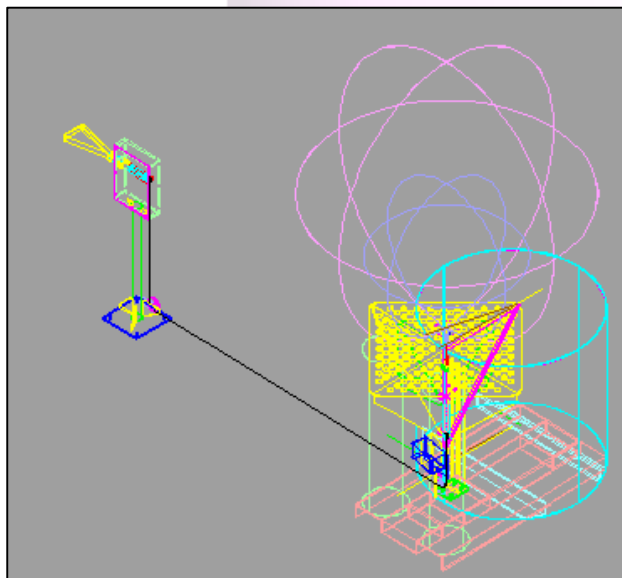
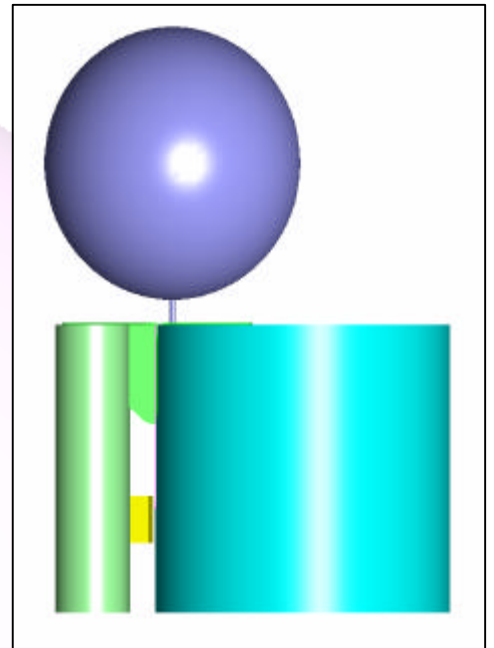


New Engertrol Mechanical Balloon Launcher

PATENT PENDING # PS2550

Engertrol can now offer a mechanical balloon launcher that meets the needs of most meteorological balloon launching facilities. Complete with safe handling of hydrogen and budget friendly features, the mechanical balloon launcher can offer unique safety and operational handling of meteorological weather balloons.

With the patent pending release and filling mechanism's action, the operator can stand at a distance of up to 45 metres and safely complete the inflation before releasing the balloon. The remote lever location adds to the safety of the operator.

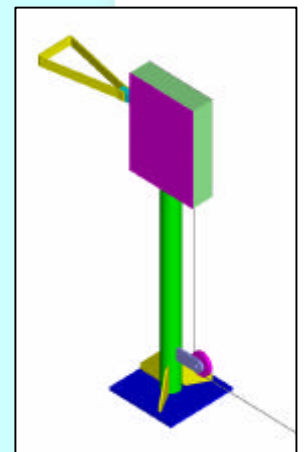
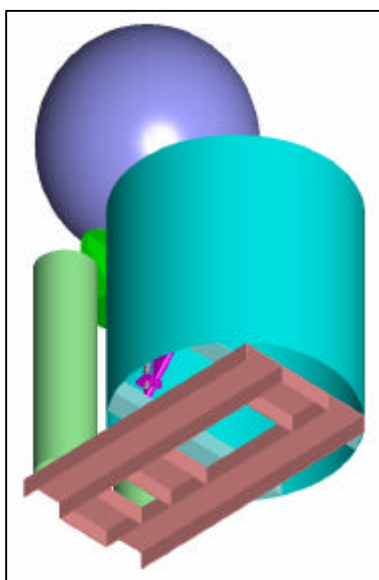


The mechanical balloon launcher is very simple and easy to operate utilising four easy steps to safe balloon launching:

1. Load balloon and flight equipment
2. Turn on gas
3. Turn off gas
4. Operate release mechanism

The launcher automatically spring re-loads to the launch position upon completion of a launch.

other types of balloon launcher in the Engertrol range. All release mechanisms are completely interchangeable, which means that any Engertrol mechanical launch site can be upgraded to any of Engertrol's more advanced balloon launchers. Depending on the budget, the launch site can be upgraded to Engertrol's Electro Mechanical launcher and as funds become available, further upgraded to the Engertrol Computerised launcher.



All equipment comes modularised therefore easy to self-install and all materials are weather resistant to the harshest environment.

Engertrol Pty. Ltd.

61 Mills Road
Braeside, Vic, 3195
Australia

Phone: +61 3 9590 9377 Fax: +61 3 9590 9277

www.engertrrol.com.au